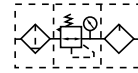


Preparation unit——A, B Series

AC、BC Series F.R.L. Combination



Symbol



Product feature

1. The structure is delicate and compact, which is convenient for installation and application.
2. The pressed-in self-locking mechanism can prevent the abnormal movement of the set pressure caused by external interfere.
3. The pressure loss is low and the efficiency of water separating is high.
4. The quantity of oil dripping can be directly observed through transparent check-dome.
5. In addition to standard type, lower pressure type is optional (The highest adjustable pressure is 0.4MPa).

Specification

Model	AC1500C	AC2000C	BC2000C	BC3000C	
Fluid	Air				
Port size [Note1]	PT1/8	PT1/4	PT1/4	PT3/8	
Filtering grade	40μm or 5μm				
Pressure range	Semi-auto and automatic drain:0.15~0.9MPa(20~130Psi)		Manual drain:0.05~0.9MPa(7~130Psi)		
Max. pressure	1.0MPa(145Psi)				
Proof pressure	1.5MPa(215Psi)				
Temperature range	-5~70°C(unfreeze)				
Capacity of drain bowl	15CC		40CC		
Capacity of oil bowl	25CC		60CC		
Recommended lubricant	ISO VG 32 or equivalent				
Constitute	Filter	AF1500C	AF2000C	BF2000C	BF3000C
	Regulator	AR1500C	AR2000C	BR2000C	BR3000C
	Lubricator	AL1500C	AL2000C	BL2000C	BL3000C

[Note1] PT thread, G thread and NPT thread are available.

Ordering code

AC 2000C □ □ □ 1 W □
 ① ② ③ ④ ⑤ ⑥ ⑦ ⑧

① Model	② Port size	③ Drain type	④ Type code	⑤ Pressure gauge	⑥ Scale	⑦ Filtering grade	⑧ Thread type
AC: A Series F.R.L unit	1500C:1/8" 2000C:1/4"	Blank: Semi-auto drain	Blank: Standard (0.9MPa) L: Lower pressure (0.4MPa)	Blank: Pressure gauge[Note1] N: No pressure gauge	1: MPa 2: psi 3: bar 4: kgf/cm ² & psi	Blank: 40μm W: 5μm	Blank: PT (Scale: MPa or kgf/cm ² & psi) G: G(Scale:bar) T: NPT(Scale:psi)
BC: B Series F.R.L unit	2000C:1/4" 3000C:3/8"	Blank: Semi-auto drain A: Automatic drain					

[Note1] Gauge model GS40 used on AC1500C/2000C and BC2000C/3000C.

Inner structure

AC Series

BC Series

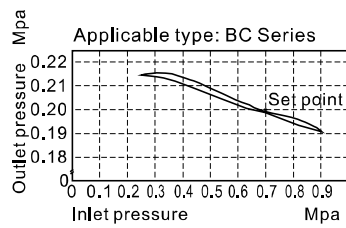
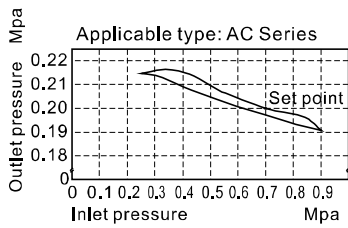
No.	Item	No.	Item
1	AF, BF Series filter	5	A, B Series fix kit
2	A, B Series gasket	6	Screw
3	A, B Series bracket	7	AL, BL Series lubricator
4	AR, BR Series regulator		

Preparation unit—A, B Series

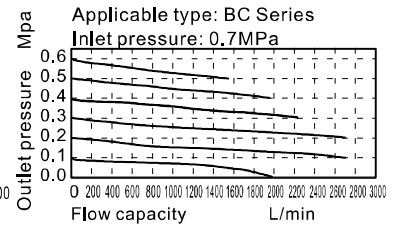
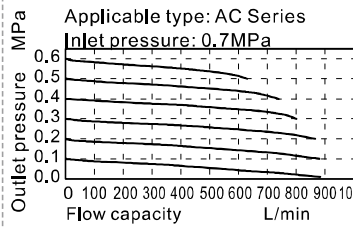
AC、BC Series F.R.L. Combination

Pressure and feature of flow

Pressure chart

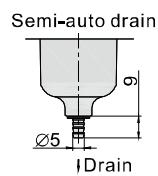


Flow chart

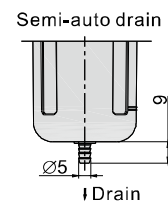
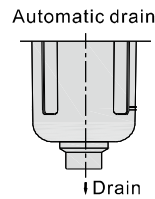


Selection of drain mode

AC Series

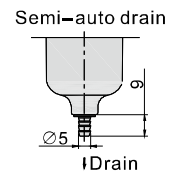
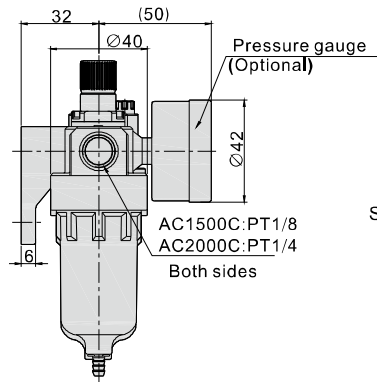
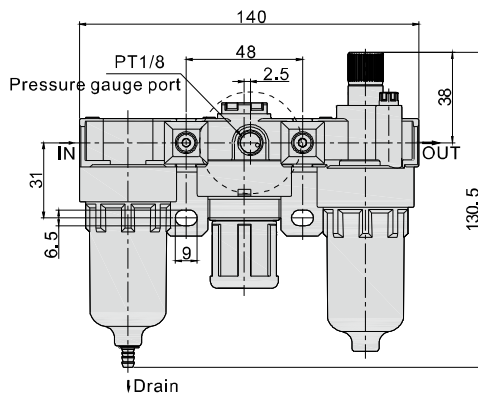


BC Series



Dimensions

AC1500C/AC2000C



BC2000C/BC3000C

